



US008537514B2

(12) **United States Patent**  
**Van Camp et al.**

(10) **Patent No.:** **US 8,537,514 B2**  
(45) **Date of Patent:** **Sep. 17, 2013**

(54) **DIODE CHAIN WITH GUARD-BAND**

(56) **References Cited**

(75) Inventors: **Benjamin Van Camp**, Zwijndrecht (BE); **Geert Wybo**, Delhi (IN); **Stefaan Verleye**, Beernem (BE)

(73) Assignee: **Sofics BVBA**, Gistel (BE)

(\* ) Notice: Subject to any disclaimer, the term of this patent is extended or adjusted under 35 U.S.C. 154(b) by 42 days.

(21) Appl. No.: **13/368,936**

(22) Filed: **Feb. 8, 2012**

(65) **Prior Publication Data**

US 2012/0200964 A1 Aug. 9, 2012

**Related U.S. Application Data**

(63) Continuation-in-part of application No. 12/188,376, filed on Aug. 8, 2008, now Pat. No. 8,164,869.

(60) Provisional application No. 60/954,655, filed on Aug. 8, 2007.

(51) **Int. Cl.**  
**H02H 3/22** (2006.01)

(52) **U.S. Cl.**  
USPC ..... **361/56**; 361/111

(58) **Field of Classification Search**  
USPC ..... 361/56, 111; 257/355-360  
See application file for complete search history.

U.S. PATENT DOCUMENTS

|              |     |         |                             |
|--------------|-----|---------|-----------------------------|
| 5,617,283    | A   | 4/1997  | Krakauer et al.             |
| 5,895,940    | A   | 4/1999  | Kim                         |
| 5,986,863    | A   | 11/1999 | Oh                          |
| 6,965,504    | B2  | 11/2005 | Liu et al.                  |
| 7,179,691    | B1  | 2/2007  | Lee et al.                  |
| 7,187,527    | B2  | 3/2007  | Su et al.                   |
| 7,285,827    | B1  | 10/2007 | He et al.                   |
| 7,405,445    | B2* | 7/2008  | Huang et al. .... 257/355   |
| 8,164,869    | B2* | 4/2012  | Van Camp et al. .... 361/56 |
| 2004/0212936 | A1  | 10/2004 | Salling et al.              |
| 2005/0280091 | A1  | 12/2005 | Huang et al.                |
| 2006/0226499 | A1  | 10/2006 | Shimizu                     |
| 2007/0045743 | A1  | 3/2007  | Tseng                       |
| 2008/0073721 | A1  | 3/2008  | Fuchigami                   |

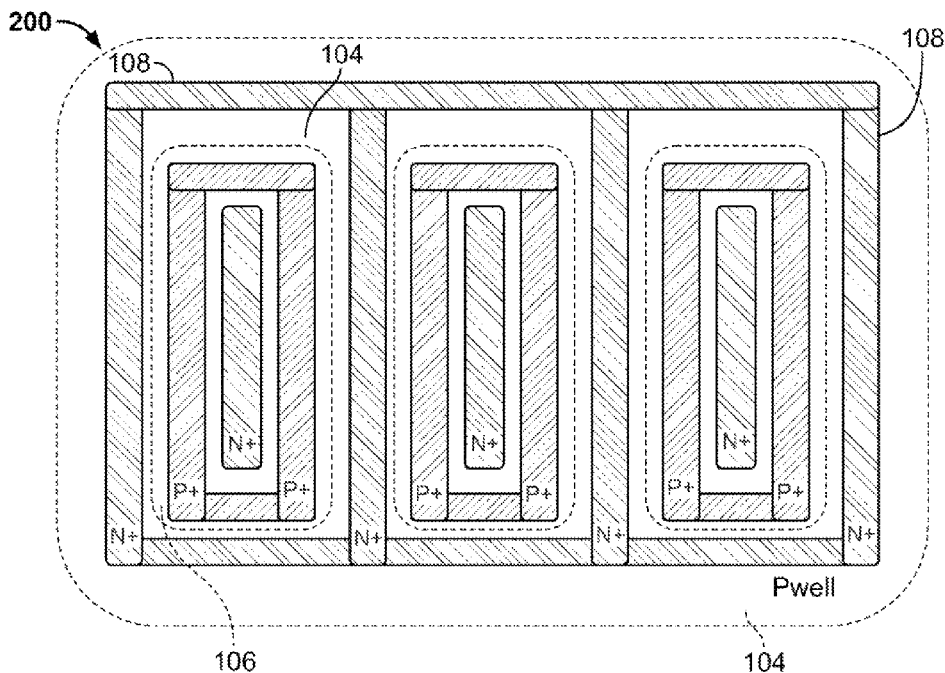
\* cited by examiner

*Primary Examiner* — Danny Nguyen  
(74) *Attorney, Agent, or Firm* — Volpe and Koenig, P.C.

(57) **ABSTRACT**

The present invention provides an ESD protection device having at least one diode in a well of first conductivity type formed in a substrate of second conductivity type. The circuit further includes a guard-band of the first conductivity surrounding at least a portion of the diode, thus forming an NPN transistor between the diode cathode, the substrate and the guard-band.

**23 Claims, 7 Drawing Sheets**



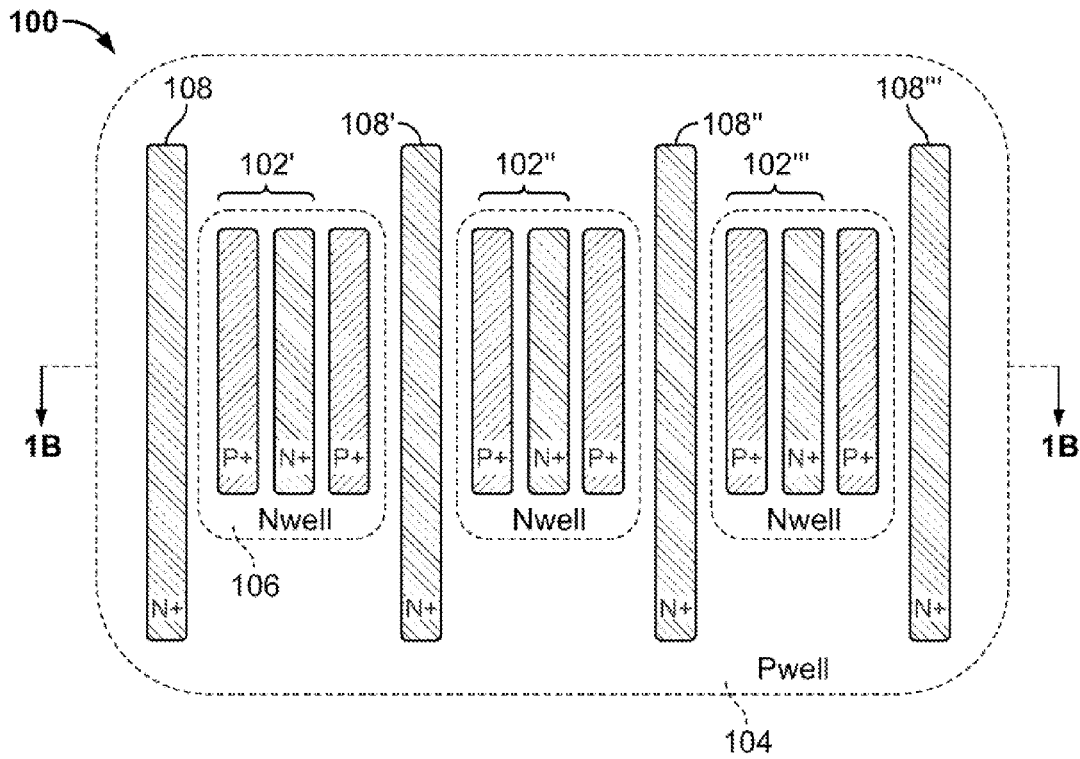


FIG. 1A

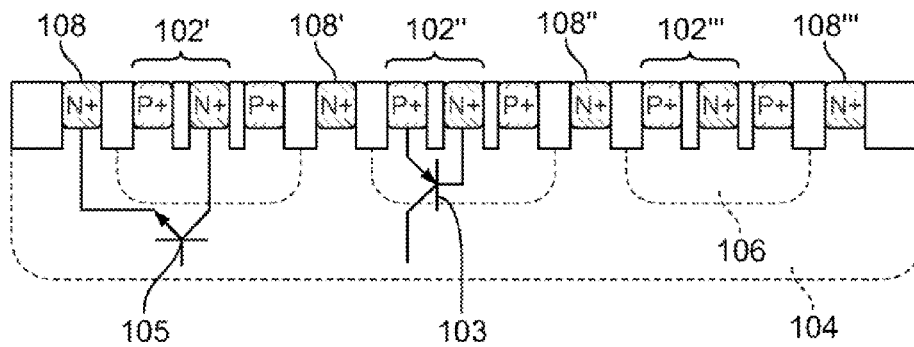


FIG. 1B

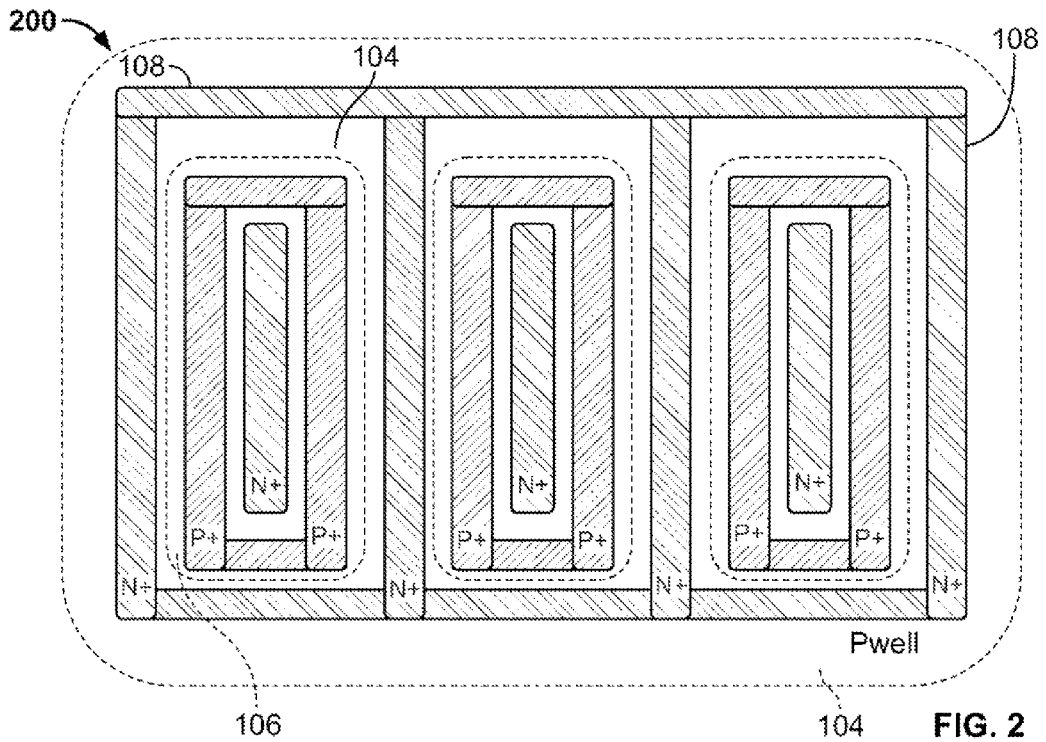


FIG. 2

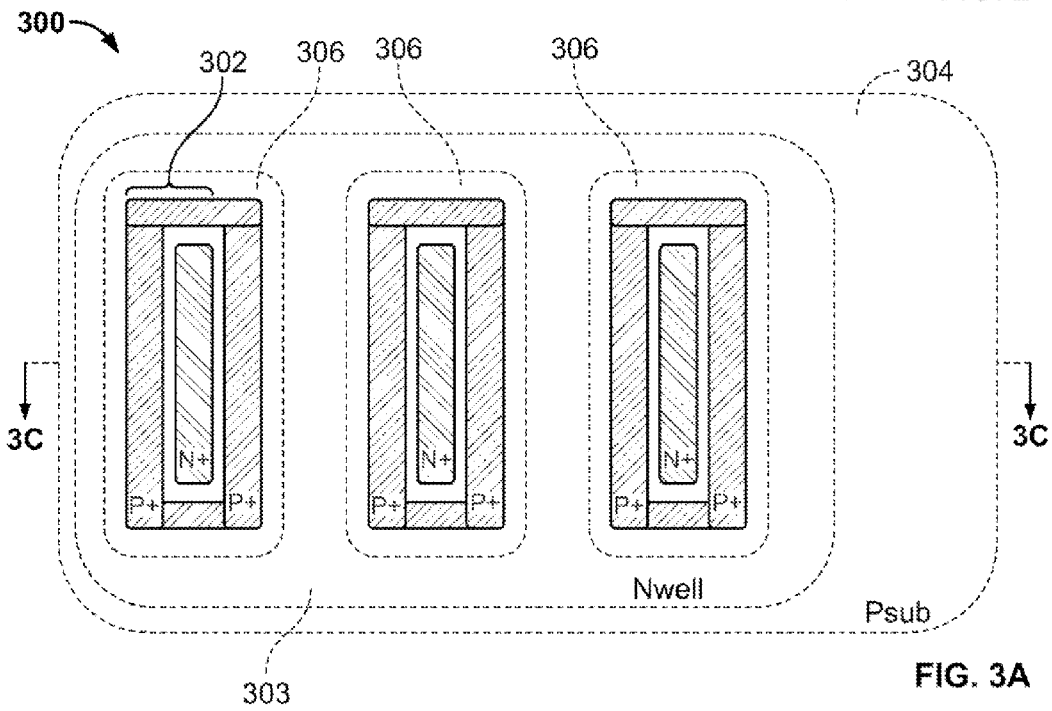


FIG. 3A

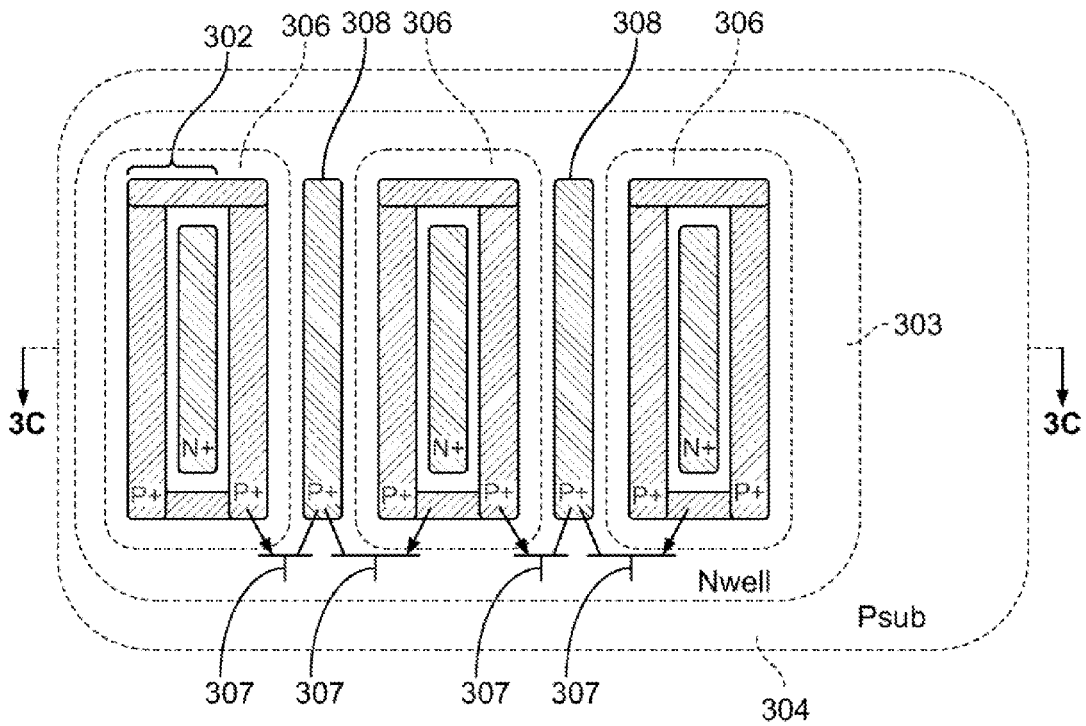


FIG. 3B

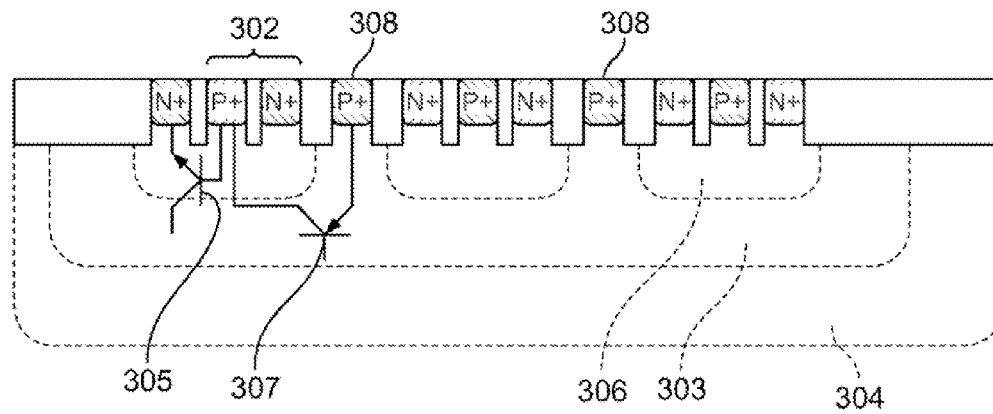


FIG. 3C

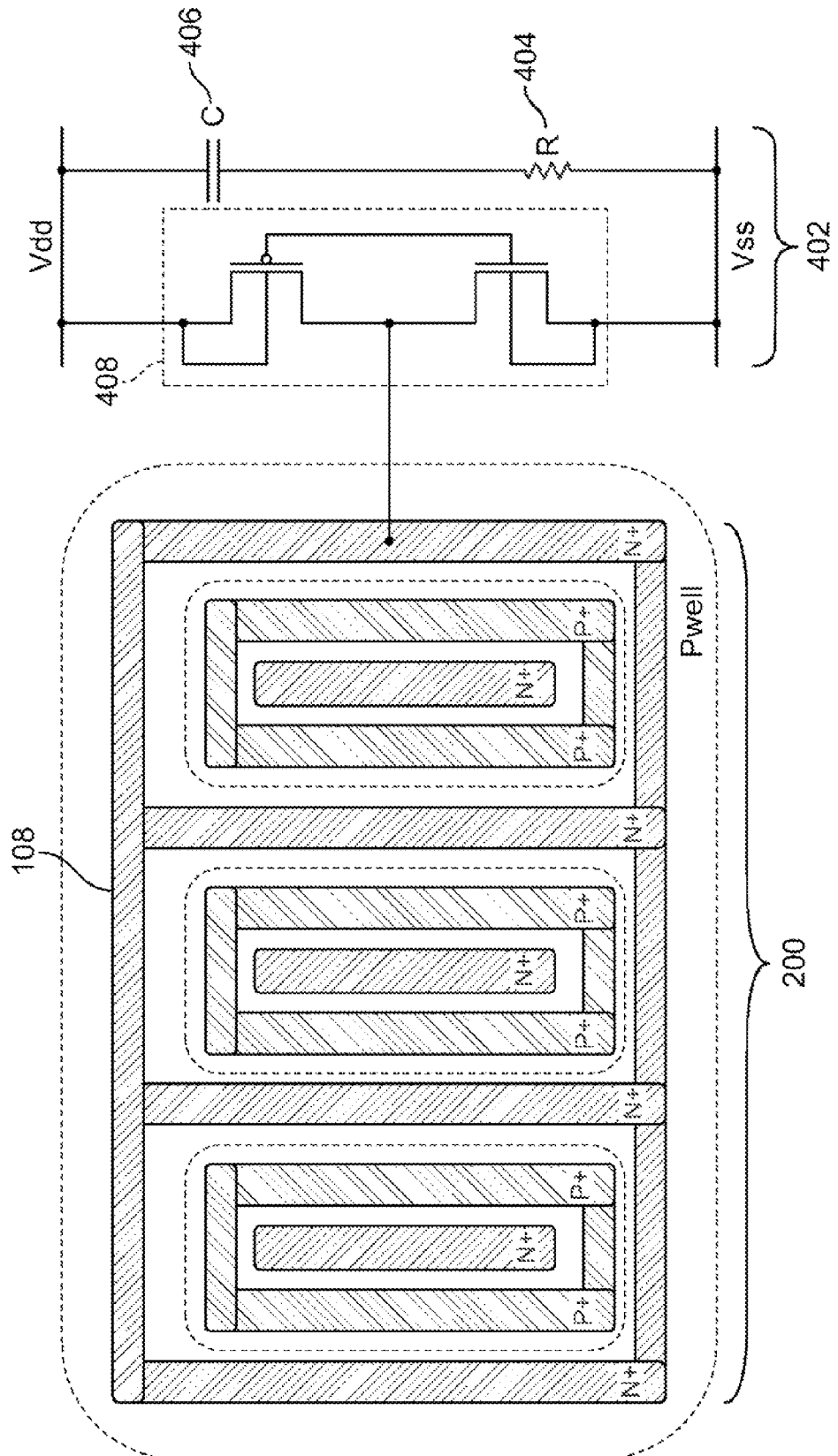


FIG. 4

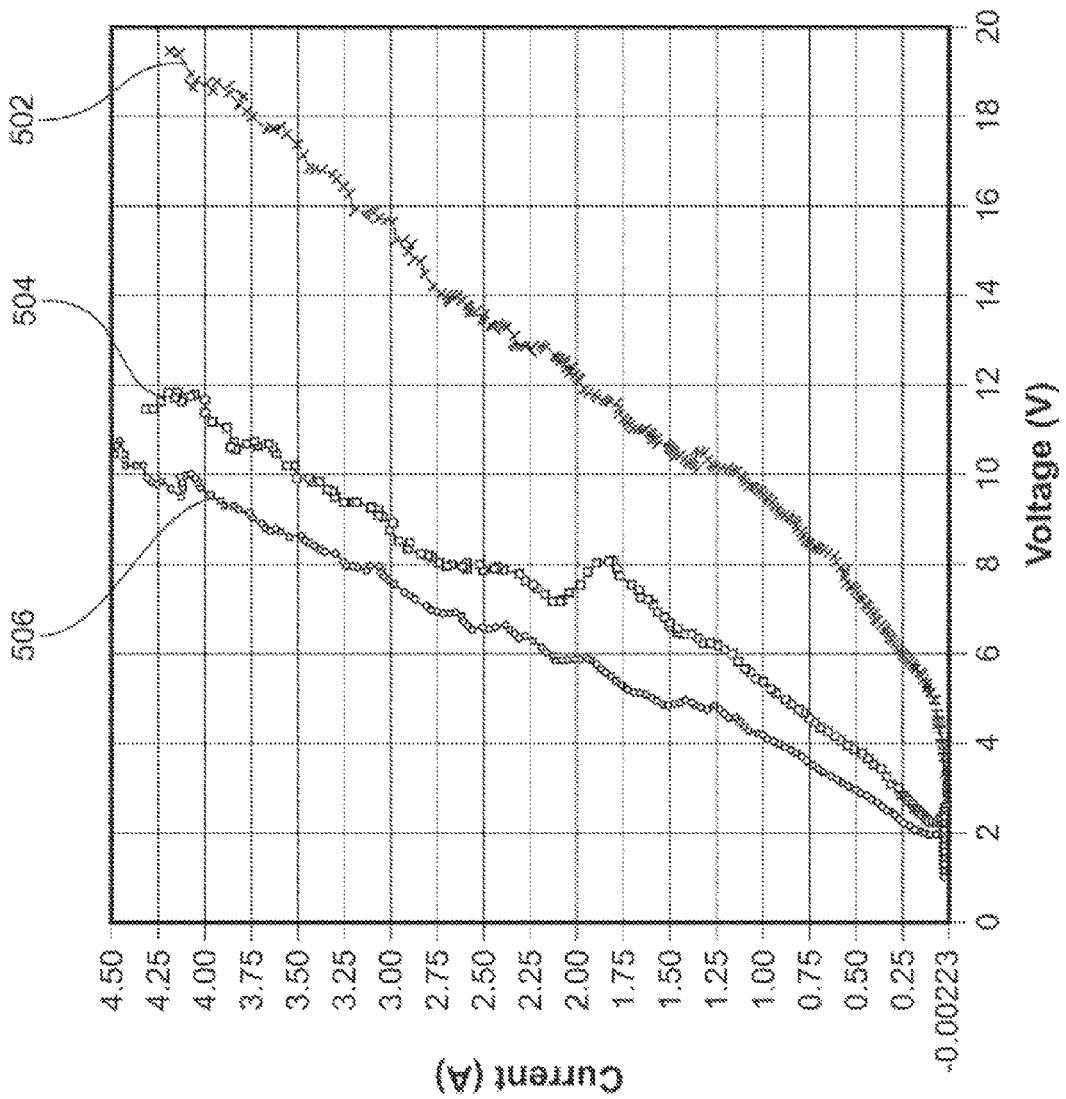


FIG. 5A

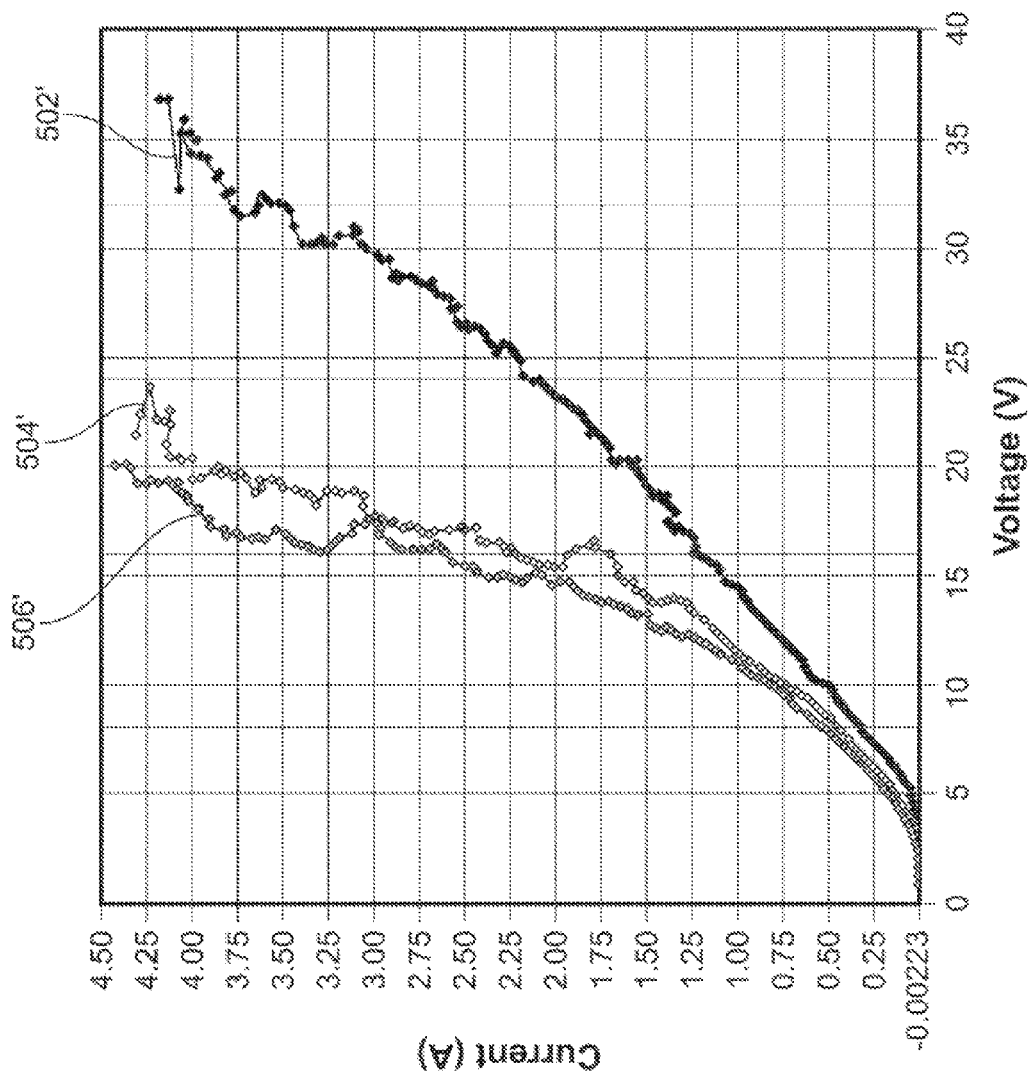


FIG. 5B

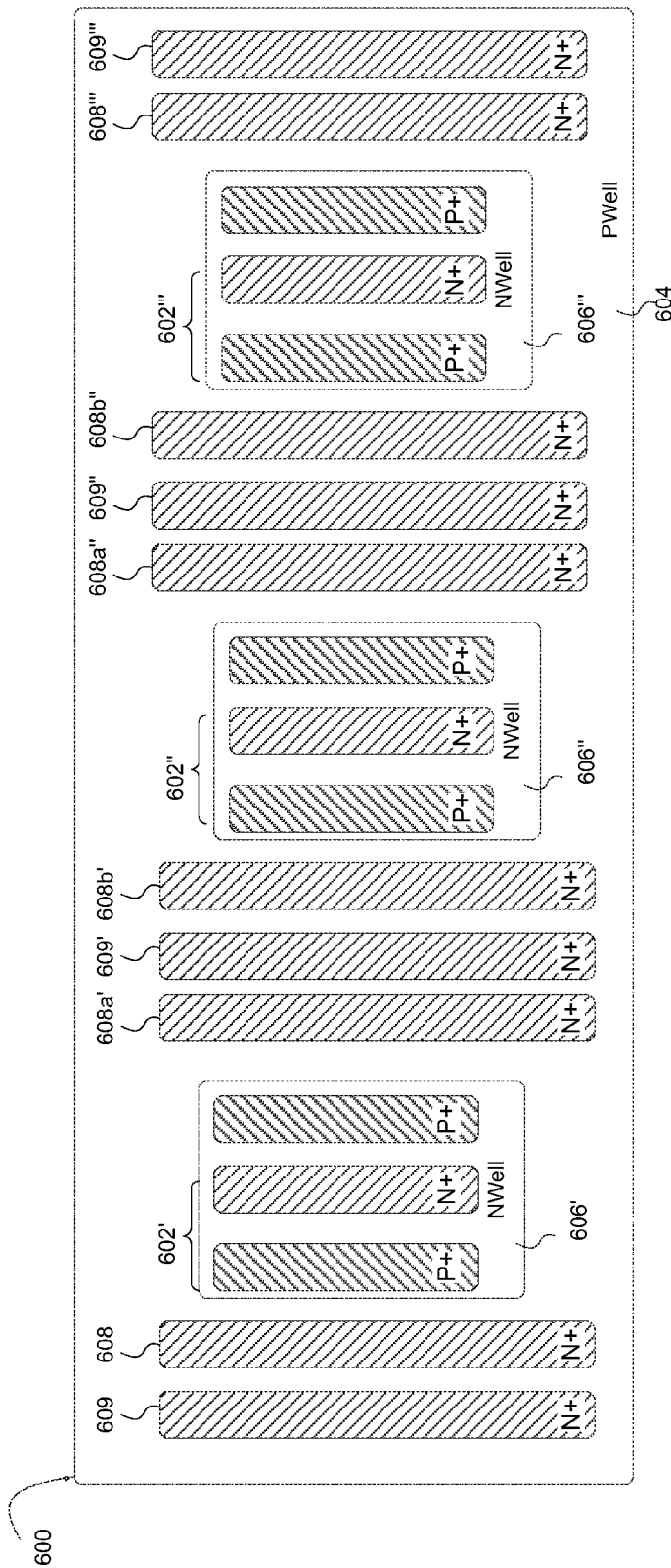


Figure 6



1

**DIODE CHAIN WITH GUARD-BAND**

## CROSS-REFERENCES

This application is a continuation-in-part of application Ser. No. 12/188,376, filed Aug. 8, 2008, which claims the benefit of U.S. Provisional Application Ser. No. 60/954,655 filed Aug. 8, 2007, entitled, "Improved Diode Chain with N Guard-ring", the entire content of which is incorporated herein by reference.

## FIELD OF THE INVENTION

The present invention relates to an electrostatic discharge (ESD) protection circuit. More specifically, the present invention relates to an improved ESD circuit having a chain of diodes with a guard-band.

## BACKGROUND OF THE INVENTION

During an ESD event, large currents can flow through an Integrated Circuit (IC), potentially causing damage to the IC. To avoid this damage, ESD protection circuits are added. In many ESD protection circuits, a chain of diodes is used. However, during very fast ESD events, a voltage overshoot is associated with every diode. When placing N diodes in series, this total overshoot is very high during the ESD event, which creates latch-up (dead short circuit between V<sub>dd</sub> and ground), thus degrading or damaging sensitive nodes (e.g. gate oxides) in the circuitry.

A well-known approach to prevent latch up is to surround the diode(s) with a guard-band, which is, in the case of a P-substrate process, a heavily P-doped region. This will cause the current that is injected in the substrate to flow safely to the guard-band, which is generally connected to the ground. Thus, the guard-band isolates the diode from the outside circuitry. However, the P+ guard-band causes the triggering of the diode, and/or the diode chain to slow down.

Thus, there is a need in the art for a solution to provide an improved ESD protection device, which prevents any damage to the circuitry and also provides for an improved fast triggering during the ESD event.

## SUMMARY OF THE INVENTION

The embodiments of the present invention provides an ESD protection device comprising at least one diode in a first well of first conductivity type formed on a second well of a second conductivity type. The device further comprises a guard-band of the first conductivity type surrounding at least a portion of said at least one diode.

In one embodiment of the present invention, the first conductivity type comprises an N-type doping region and the second conductivity type comprises a P-type doping region.

In another embodiment of the present invention, the first conductivity type comprises a P-type doping region and the second conductivity type comprises an N-type doping region.

## BRIEF DESCRIPTION OF THE DRAWINGS

FIG. 1A illustrates a top view of an ESD device in accordance with a one embodiment of the present invention.

FIG. 1B illustrates a cross-section view along line 1B of the ESD device of FIG. 1A.

FIG. 2 illustrates a top view of an ESD device in accordance with an alternate embodiment with reference to FIG. 1A of the present invention.

2

FIG. 3A illustrates a top view of an ESD device in accordance with another embodiment of the present invention.

FIG. 3B illustrates a top view of an ESD device circuit in accordance with an alternate embodiment with reference to FIG. 3A of the present invention.

FIG. 3C illustrates a cross-section view of an ESD device circuit in accordance with an alternate embodiment of the present invention with reference to FIGS. 3A and 3B.

FIG. 4 illustrates a top view of the ESD device of FIG. 2 and a trigger circuit in accordance with yet another embodiment of the present invention.

FIG. 5A illustrates a measured data plot of a current and voltage curve of prior art and of the present invention.

FIG. 5B illustrates a measured data plot of an overshoot voltage and current of prior art and of the present invention.

FIG. 6 illustrates a top view of an embodiment of an ESD device comprising multiple guard-bands.

## DETAILED DESCRIPTION OF THE INVENTION

The present invention provides an ESD protection device having a diode chain, which is further optimized for fast triggering. According to the embodiments of the present invention, this is achieved by replacing the P+ guard-band around the diodes by an N-type guard-band to form an NPN transistor. The NPN transistor is a faster device compared to the PNP transistor. This is due to the fact that the conduction of the PNP is controlled by holes and the conduction of the NPN by electrons. Since the mobility of electrons is larger than the mobility of holes, the NPN structure will trigger faster than the PNP structure.

In one embodiment of the present invention, FIG. 1A illustrates a top view of an ESD protection device **100** and FIG. 1B illustrates a cross-section of the ESD device **100** taken along line **1B** in FIG. 1A. The ESD device **100** includes a chain of three diodes **102** formed on a substrate **104** of a material of a first conductivity type, preferably a P-type doping region (P-sub). Each of the diodes **102** contains an N doped and P doped region As shown in FIGS. 1A and 1B, a well **106** of a second conductivity type, preferably an N-type doping region (N-well) is formed in the P-sub **104**. Both N-well **106** and P-sub **104** may include semi-conducting material, such as, for example, silicon, germanium or combinations of both. P-sub **104**, as shown in FIG. 1A, may preferably be electrically grounded. Each of the PN diodes **102** also include a PNP **103** transistor formed by the PN junction of the diode **102** and the P-sub **104** as second P junction as illustrated in FIG. 1B. Even though in this embodiment of the present invention, the first conductivity type is defined as a P-type doping region and the second conductivity type is defined as an N-type doping region, one skilled in the art would appreciate that the first conductivity type may be the N-type doping region and the second conductivity type may be the P-type doping region.

In order to reduce the leakage current, a guard-band structure is formed on the active area. Generally in the prior art, a heavily doped P+ region is formed as a guard-band on the active area. This is because the P+ region has the same doping type as the substrate, P-sub **104**. This makes a low ohmic connection between the P+ and the substrate region. However, a high ohmic is needed for the guard-band to the ground (i.e. the substrate). Therefore, in the present invention, an N+ guard-band **108** is formed on each side of the diodes **102** as illustrated in FIGS. 1A and 1B. This in turn creates an NPN transistor **105** formed between a diode cathode (N+ in diode **102**), P-sub **104** and the N+ guard-band **108**. The PNP **103** will initiate a trigger mechanism by providing an ESD current to the NPN **105** to turn on the NPN **105**, which in turn will also

flow current back to the PNP **103**. In this manner, both the PNP **103** and the NPN **105** function together to initiate a fast triggering of the diodes during an ESD event. So, by changing the guard-band type to N+, the PNP **103** is strengthened by an NPN **105** and this combination of the two bipolar transistors **103** and **105** optimize the diode chain triggering behavior.

Additionally, although not shown, each of the N+ guard-bands **108** may be connected to ground or to a lower potential voltage. Alternatively, one or more of the N+ guard-bands **108** may be connected to ground and the rest of them may be connected to a lower potential voltage. The lower potential voltage as defined in this embodiment is any voltage lower than the voltage of the anode of the diode structure (P+ in **102**). The lower potential voltage may include a voltage outside the ESD circuit **100** or the voltage one of the cathodes (N+ in **102**) of the diode **102** in the ESD circuit **100**. For example, in FIGS. **1A** and **1B**, the N+ guard-band **108** may be connected to ground or other lower potential outside the device **100**, the N+ guard-band **108'** maybe connected to N+ of diode **102'**, the N+ guard-band **108''** may be connected to N+ of diode **102''** and the N+ guard-band **108'''** may be connected to N+ of diode **102'''**.

In an alternate embodiment of the present invention, N+ guard-band **108** is formed on all sides of each of the diodes **102** as illustrated in top view of an ESD device **200** of FIG. **2**. In this embodiment, the top and bottom structure of the diodes **102** also include N+ guard-band **108**, thus completely enclosing the diodes **102**. This creates a larger perimeter/area for the N+ guard-band **108**, which provides for an even stronger NPN **105** formed for each of the diodes **102** in the device, thus generating a stronger and faster diode chain triggering behavior. Furthermore, in this embodiment, the N+ tap in the diode **102** is completely surrounded by a P+ tap. However, one skilled in the art would appreciate that this is only meant to illustrate a different diode layout and that the invention is not limited to any particular diode configuration.

Even though the diodes **102** illustrated in FIGS. **1** and **2** are Standard Trench Isolation (STI) type diodes, it is obvious to one skilled in the art that the diodes **102** may include other types such as gated diode, NO-STI diodes, etc. Also, in both FIGS. **1** and **2**, three diodes are illustrated to be placed in series, however, it is obvious to one skilled in the art that the invention is not limited to this number, and is applicable to any number of diodes. In fact, only one diode may preferably be implemented to function according to an alternate embodiment of the present invention.

Although, FIGS. **1** and **2** illustrate only two types of configurations of the guard-band, it is known to one skilled in the art that other types of configurations can also be formed. Also, in both FIGS. **1** and **2**, a guard-band **108** of N+ doping is used, however, one skilled in the art would understand that the invention is not limited to this doping type and other doping types may be used. One such example is to replace the P-substrate **106** with an N-substrate (not shown). In this example, N-well **106** will be replaced by P-well (not shown), each of the N+ guard-bands **108** will be replaced by P+ (not shown), P+ taps in each of the diodes **102** will be replaced by N+ taps (not shown) and the N+ tap in each of the diodes **102** will be replaced by P+ taps (not shown). In this example, an NPN transistor would be formed by the PN junction diode and the and the N-substrate. A PNP is added by the added P+ guard-band, the N-substrate and the P-well. Also, in this example, the P+ guard-band would be coupled to a higher potential voltage. The higher potential voltage in this example would be any voltage higher than the voltage of the cathode of the diode and, thus, the P+ guard-band would preferably be coupled to the anode of the diode.

Furthermore, in the embodiment illustrated in FIGS. **1** and **2**, P+ taps of the diodes **102** are placed at the outside and the N+ tap is placed between the P+ taps, however, one skilled in the art knows the invention is not limited to this particular order and shape of placing the P+ and N+ taps of the diodes.

The embodiments of FIGS. **1** and **2** of the present invention are shown only for N-well diodes. However, anyone skilled in the art can understand that a similar effect can be obtained for a chain of P-well diodes as shown in FIGS. **3A** and **3C** of the present invention. FIG. **3A** illustrates a top view of an ESD device **300** in another embodiment of the present invention. FIG. **3C** illustrates a cross-section view of an alternative ESD device. The ESD device **300** includes a chain of three P-well diodes **302** enclosed by an N-well **303** which are formed on a substrate of p-type material (P-sub) **104**. Each of the diodes **102** contains an N doped and P doped region. In this embodiment, an isolated P-well, **306** is placed in the N-well **303** around the P-well diodes **302** as shown in FIGS. **3A** and **3C**. The P-well diodes **302** lie directly in the P-well **306** and the deep N-well layer **303** lies underneath the P-well **306** to isolate it from the P-substrate **304**. So, in this embodiment, the N-well **303** functions as a guard-band, thus forming an NPN transistor **305** between the diode cathode (N+ in diode **302**), the isolated P-well **306** and the N-well **303**.

In an alternate embodiment, a P+ region **308** is added in the N-well **303** between the P-well diodes **302** of the device **300** of FIG. **3A** as illustrated in FIG. **3B**. FIG. **3B** illustrates a top view of the device **300** of FIG. **3A** with the added P region **308**. By adding the P+ region **308** in the deep N-well **303** between the P-well diodes **302** would form a PNP transistor **307** as shown in FIGS. **3B** and **3C**. This PNP transistor **307** would add a PNP pumping effect to the already existing NPN **305** between the diodes **302**, thus further strengthening the NPN **305**. This behavior of the combination of the NPN and the PNP is the same as described above with respect to FIGS. **1A** and **1B**. Note that in this embodiment, the deep N-well **303** can be biased to any given potential. This is typically done by adding N+ in the deep N-well **303** to make contact between the power lines and the N-well **303**. The N-well and deep N-well are placed around the diode to clearly isolate the P-well to the substrate. Generally, the N-well is mostly connected to a fixed voltage source, i.e. one of the power lines, however, the N-well can also be connected to other nodes or even remain floating.

FIG. **4** illustrates an ESD protection device **400** in accordance with yet another embodiment of the present invention. In this embodiment, the N+ guard-band **108** of the ESD device **200** is connected to a triggering circuit **402** as shown in FIG. **4**. The triggering circuit **402** functions to speed up the diode chain as will be described in greater detail below.

In the example illustrated in FIG. **4**, the trigger circuit **402** includes a resistor **404**, a capacitor **406** and an inverter **408**. The capacitor **404** of the circuit **402** will pull during ESD, causing the input of the inverter **408** to be high. The output of the inverter **408** will switch to low which in turn will produce a low potential to the N+ guard-band **108**. This will help to turn on the PNP **103** (since PN junction is forward-biased) which in turn supplies current to turn on the NPN **105**. During normal operation the capacitor **404** will pull the input of the inverter **408** to ground. The output of the inverter **208** will then turn to high. This will pull the N+ guard-band **108** to the high potential, keeping the PN junction between substrate and guard-band **108** in reverse, which will turn off the NPN **105**. This will prevent the NPN **105** from conducting any current (i.e. NPN remains turned off), which in turn prevents the PNP **103** from conducting any current during normal operation. Thus, the trigger circuit **402** uses the RC to bias the N+

guard-band **108** low during ESD and high during normal operation. During normal operation the NPN will create an extra leakage path, by pulling the emitter high during normal operation, the NPN is disabled, and will introduce less leakage during normal operation. With this circuit a clear difference can be made between normal operation and operation when ESD occurs. The triggering circuit **402** in this embodiment is the RC transient detector, however, one skilled in the art would appreciate that the triggering circuit can consist of other elements such as diodes, inductances, transistors etc., including a combination of these elements. The N+ guard-band **108** in the device **400** can also be shorted to ground or to any reference voltage in the IC.

Referring to FIG. **5A**, there is illustrated a graphical plot of data measurements of current (I) and voltage (V) of the ESD circuits of prior art and the present invention. The x-axis represents the voltage (V) and the y-axis represents the current (I). The data measurements are taken for a very short time period, preferably in the range of 2-3 nano-seconds. The data measurements illustrate a voltage curve **502** of the prior art ESD device with a P+ guard-band, a voltage curve **504** of the N+ guard-band **108** of the ESD device **200** of FIG. **2** and a voltage curve **506** of the N+ guard-band **108** of the ESD device **100** of FIG. **1**. As illustrated in FIG. **5A**, for the same amount of current, the voltages **504** and **506** of the N+ guard-band **108** of the ESD devices **200** and **100** respectively are much lower compared to the voltage **502** of the ESD device of the prior art with a P+ guard-band. In fact, the voltage **506** of the N+ guard-band **108** of the ESD device **200** is even lower than the voltage **504** of the N+ guard-band of the ESD device **100**. As discussed above, this is due to the fact that the N+ guard-band **108** of FIG. **2** creates a larger perimeter/area around the diodes, thus providing for an even stronger NPN formed for each diode in the device

Referring to FIG. **5B**, there is illustrated a graphical plot of data measurements of overshoot voltage (x-axis) vs. the current (y-axis) of the ESD circuits of the prior art and the present invention. The data measurements of the overshoot voltage (i.e. maximum voltage of the ESD device) are taken for an even shorter time period, preferably approximately 100 picoseconds. The data measurements illustrate an overshoot voltage curve **502'** of the prior art ESD device with a P+ guard-band, an overshoot voltage curve **504'** of the N+ guard-band **108** of the ESD device **200** of FIG. **2** and an overshoot voltage curve **506'** of the N+ guard-band **108** of the ESD device **100** of FIG. **1**. As illustrated in FIG. **5B**, for the same amount of current, the overshoot voltages **504'** and **506'** of the N+ guard-band **108** of the ESD devices **200** and **100** respectively are much lower compared to the overshoot voltage **502'** of prior art ESD device with the P+ guard-band. In fact, the overshoot voltage **506'** of the N+ guard-band **108** of the ED device is even lower than the overshoot voltage **504'** of the N+ guard-band **108** of the ESD device **100**. As discussed above, this is due to the fact that the N+ guard-band **108** of FIG. **2** creates a larger perimeter/area around the diodes, thus providing for an even stronger NPN formed for each diode in the device.

In FIG. **6** yet another embodiment is shown. Three diodes **602'**, **602''** and **602'''** are shown. It should be noted that any series of at least one diode can be drawn according to the principle of the invention. Between the diodes, guard-bands **608**, **609**, **608a'**, **609'**, **608b'**, **608a''**, **609''**, **608b''**, **608'**, and **609'''** are placed. The guard-bands can be coupled to different nodes: for example, guard-bands **609**, **609'**, **609''**, **609'''** can be coupled to a first potential and guard-bands **608**, **608a'**, **608b'**, **608a''**, **608b''**, and **608'''** can be coupled to a second potential. In one embodiment, the first potential is a higher potential than the second potential. In another embodiment, the second

potential is a higher potential than the first potential. In another embodiment, the first potential is a high potential such as Vdd and the second potential is a low potential such as ground or Vss. In yet another embodiment, the first potential is a low potential such as ground or Vss and the second potential is a high potential such as Vdd. Alternatively, the guard-bands can all be coupled to the same node, each guard-band could be coupled to a different node, or various combinations of guard-bands could be coupled to various different nodes.

For the exemplary case where guard-bands **609**, **609'**, **609''**, **609'''** are coupled to a first potential and guard-bands **608**, **608a'**, **608b'**, **608a''**, **608b''**, and **608'''** are coupled to a second potential, a first group of NPNs is formed comprising any of the diode N-wells **606'**, **606''** and **606'''** as the collector, P-well **604** as the base and at least one of the guard-bands **608**, **608a'**, **608b'**, **608a''**, **608b''** and **608'''** as the emitter. A second group of NPNs is formed comprising any of the guard-bands **609**, **609'**, **609''**, and **609'''** as the collector, P-well **604** as base and at least one of the diode N-wells **606'**, **606''** and **606'''** as the emitter. A third group of NPNs is formed comprising any of the guard-bands **609**, **609'**, **609''**, and **609'''** as the collector, P-well **604** as the base, and at least one of the guard-bands **608**, **608a'**, **608b'**, **608a''**, **608b''** and **608'''** as the emitter.

Note that although the guard-bands in FIG. **6** are bordering on two sides of each diode, one embodiment of the invention might include guard-bands to be added to border on only one side, on three sides, or on all sides. Also note that the relative geometries of the guard-bands, diodes, and wells are drawn in an exemplary fashion only. One should recognize that other relative geometries may be formed. Furthermore, while the guard-bands, diodes, and wells are drawn uniformly, different dimensions may also be used.

In FIG. **6**, three guard-bands are **608a'**, **609'** and **608b'** are placed between diodes **606'** and **606''**. Also, guard-bands **608a''**, **609''**, **608b''** are placed between diodes **606''** and **606'''**. Though three guard-bands are shown between the diodes, any number of guard-bands can be placed. Each of the guard-bands can be coupled to a different, or the same reference potential. Likewise, on the left side of diode **606'** two guard-bands **609** and **608** are placed. On the right side of diode **606'''** two guard-bands **608'''** and **609'''** are placed. According to the principle of the invention, any number of guard-bands can be placed, each of the guard-bands can be coupled to the same or to a different reference potential.

In one embodiment, in order to strengthen the third group of NPNs, the surface area between pairs of adjacent guard-bands, such as **609** and **608**, **608a'** and **609'**, **609''** and **608b''**, **608a''** and **609''**, **609'''** and **608b''**, and **608'''** and **609'''** may be devoid of isolation such as STI by adding a poly gate. The poly gate may be coupled to a low reference potential such as ground to avoid adding leakage.

One should also note that though FIG. **6** depicts the guard-bands as N-type formed in a P-well, in another embodiment the conductivity types of the wells may be switched such that the guard-bands may be P-type formed in an N-well. Likewise, in such an embodiment, the diode wells may switch conductivity.

Thus, as described in the embodiments of the present invention above, an N+ guard-band around the diodes provides for a much reduced voltage including the overshoot voltage in the ESD protection devices, thus preventing damage to the circuitry during an ESD event. It is noted that similar results may be achieved by a Silicon Controlled Rectifier (SCR) in a larger time domain (after the settling time), however, an SCR would not function as fast and trigger as

quickly as the NPN transistor formed by placing an N+ guard-band around the diodes as described above. Also, as discussed above, the present invention could be implemented using only one diode; however, the one diode may not go into an SCR mode. The voltages where these devices operate are below the minimum voltage that is needed to sustain the SCR in an SCR mode.

Although various embodiments that incorporate the teachings of the present invention have been shown and described in detail herein, those skilled in the art can readily devise many other varied embodiments that still incorporate these teachings without departing from the spirit and the scope of the invention.

What is claimed is:

1. An electrostatic discharge (ESD) protection device comprising:

- at least one diode in a first well of a first conductivity type formed directly in a second well of a second conductivity type;
- a first guard-band of the first conductivity type bordering at least a portion of the at least one diode, wherein the first guard-band is formed completely within the second well; and
- a second guard-band of the first conductivity type bordering at least a portion of the first guard-band, wherein the second guard-band is formed completely within the second well.

2. The ESD protection device of claim 1, wherein the first conductivity type comprises an N-type doping region and the second conductivity type comprises a P-type doping region.

3. The ESD protection device of claim 2, wherein a PNP transistor is formed by a PN junction of the at least one diode and the second well of the second conductivity type.

4. The ESD protection device of claim 3, wherein an NPN transistor is formed by the first guard-band of the first conductivity type, the second well of the second conductivity type, and the second guard-band of the first conductivity type.

5. The ESD protection device of claim 1, wherein the first conductivity type comprises a P-type doping region and the second conductivity type comprises an N-type doping region.

6. The ESD protection device of claim 5, wherein a PNP transistor is formed by the first guard-band of the first conductivity type, the second well of the second conductivity type, and the second guard-band of the first conductivity type.

7. The ESD protection device of claim 6, wherein an NPN transistor is formed by the first guard-band of the first conductivity type, the second well of the second conductivity type, and the second guard-band of the first conductivity type.

8. The ESD protection device of claim 1, wherein the first guard-band is coupled to a cathode of the at least one diode.

9. The ESD protection device of claim 8, wherein the second guard-band is coupled to an anode of the at least one diode.

10. The ESD protection device of claim 1 further comprising a triggering circuit connected to the first guard-band.

11. The ESD protection device of claim 10, wherein the triggering circuit connects the first guard-band to a low potential during an ESD event.

12. An electrostatic discharge (ESD) protection device comprising:

- at least one diode in a first well of a first conductivity type formed directly in a second well of a second conductivity type;
- a first guard-band of the first conductivity type bordering at least a portion of the at least one diode; and
- a second guard-band of the first conductivity type bordering at least a portion of the first guard-band;

wherein the first conductivity type comprises an N-type doping region and the second conductivity type comprises a P-type doping region;

wherein a first NPN transistor is formed by the first well of the first conductivity type, the second well of the second conductivity type and the first guard-band of the first conductivity type, and further wherein a second NPN transistor is formed by the first guard-band of the first conductivity type, the second well of the second conductivity type, and the second guard-band of the first conductivity type.

13. The ESD protection device of claim 12, wherein the first guard-band is coupled to a low voltage, wherein the low voltage is at least as low as a voltage of an anode of the at least one diode.

14. The ESD protection device of claim 13, wherein the second guard-band is coupled to a high voltage, wherein the high voltage is at least as high as the voltage of a cathode of the at least one diode.

15. An electrostatic discharge (ESD) protection device comprising:

- at least one diode in a first well of a first conductivity type formed directly in a second well of a second conductivity type;
- a first guard-band of the first conductivity type bordering at least a portion of the at least one diode; and
- a second guard-band of the first conductivity type bordering at least a portion of the first guard-band;

wherein the first conductivity type comprises an P-type doping region and the second conductivity type comprises a N-type doping region;

wherein a first PNP transistor is formed by the first well of the first conductivity type, the second well of the second conductivity type and the first guard-band of the first conductivity type, and further wherein a second PNP transistor is formed by the first guard-band of the first conductivity type, the second well of the second conductivity type, and the second guard-band of the first conductivity type.

16. The ESD protection device of claim 15, wherein the first guard-band is coupled to a high voltage, wherein the high voltage is at least as high as the voltage of a cathode of the at least one diode.

17. The ESD protection device of claim 16, wherein the second guard-band is coupled to a low voltage, wherein the low voltage is at least as low as a voltage of an anode of the at least one diode.

18. The ESD protection device of claim 1, wherein a surface area between the first guard-band and the second guard-band is devoid of isolation.

19. The ESD protection device of claim 1, further comprising a gate placed over at least a portion of an area between the first guard-band and the second guard-band.

20. The ESD protection device of claim 12, wherein a surface area between the first guard-band and the second guard-band is devoid of isolation.

21. The ESD protection device of claim 12, further comprising a gate placed over at least a portion of an area between the first guard-band and the second guard-band.

22. The ESD protection device of claim 15, wherein a surface area between the first guard-band and the second guard-band is devoid of isolation.

23. The ESD protection device of claim 15, further comprising a gate placed over at least a portion of an area between the first guard-band and the second guard-band.